

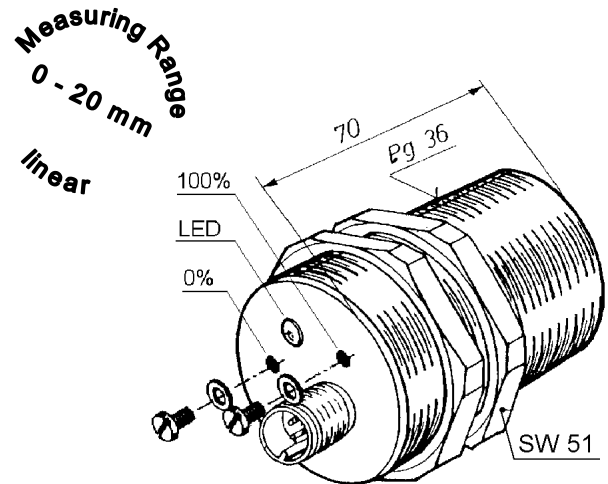
Compact analogous sensor in PG36 brass casing with water-proof plug connection. The object distance can be transferred via the analogous output and via the serial interface.

Range of distance and linearization for different applications can be individually set by two push-buttons or via RS 485 interface.

### Technical Data

<b>Type</b>	<b>MKZ 471.19 S4</b>
Art.-No.	2330A
Distance range max. Ab	0 - 20 mm*
Distance range adjustable	yes
Output	0 – 10 V
Load impedance	≥ 10K
Ripple content	≤ 1%
Output short circuit protected	yes
Reverse polarity protection	no
Digital communication	RS 485
Location at metal	quasi flush mount (free zone 5 mm)
Supply voltage	24 V DC
Ripple voltage	max. 15 %
Current consumption	≤ 12 mA
Readiness time	1 s
Response delay	approx. 20 ms
Resolution	1 ‰ of final value
Repeatability	≤ 0,3 %
Error of linearity	≤ 1 %
Error of temperature	≤ 5 %
Error of temperature at 50 % Ab	≤ 1,5 %
Ambient temperature	-10 ... +70 °C
Protection class	IP 67
Connection	Plug S4 (M12x1)
Function display	Duo-LED
Housing material	Brass, nickel plated
<b>Further available designs</b>	<b>Type:</b>
Output 0 – 20 mA	MKZ 471.190 S4
Output 4 – 20 mA	MKZ 471.194 S4
<b>Accessories</b>	<b>Art.-No.</b>
(not included in the scope of supply)	
suitable 3-polar angular coupling with moulded connection cable of 5 m length for analogous evaluation	9841R
5-polar angular coupling with moulded connection cable of 5 m length for additional use of RS 485 interface.	9841Q

\*Referred to measuring plate steel ST37, 1 mm thick 60 x 60 mm.  
Deviations of material and size of the object to be measured influence the range of operation.



### Diagram of Connection

