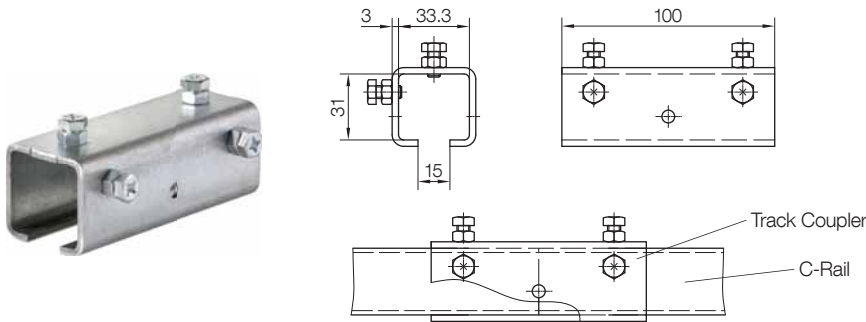


C-Rails and Accessories Program 0230

Track Couplers

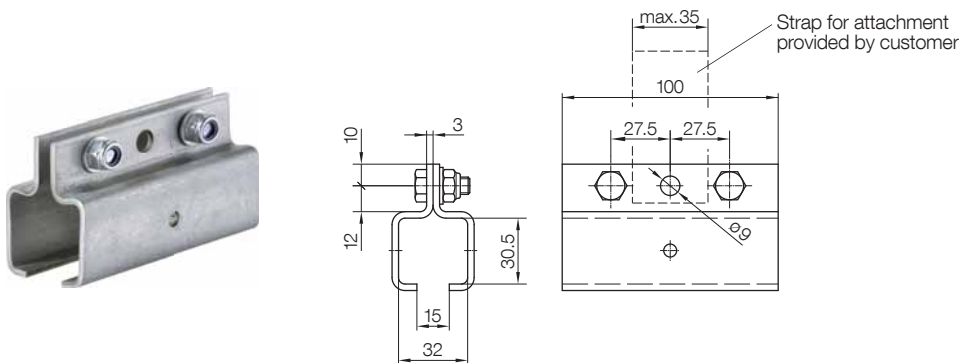


Catalog-No.	Material	Weight [kg]
023210	galvanized steel	0.280
023410	stainless steel V4A	0.280

Note

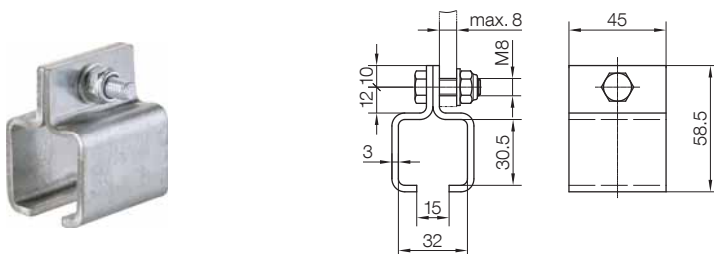
A track coupler must be provided at each track joint.

Track Couplers, Two-Piece



Catalog-No.	Material	Perm. Load [kg]	Weight [kg]
023211	galvanized steel	100	0.480
023411	stainless steel V4A	100	0.480

Track Support Brackets, Two-Piece



Catalog-No.	Material	Perm. Load [kg]	Weight [kg]
023247	galvanized steel	100	0.200
023447	stainless steel V4A	100	0.200

Design in stainless steel V4A