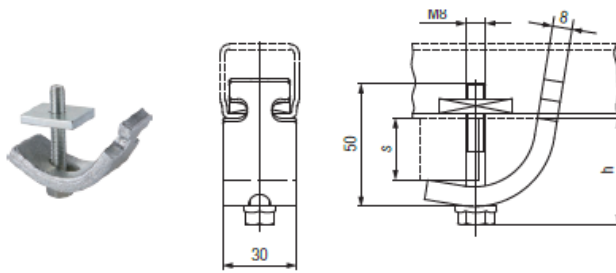
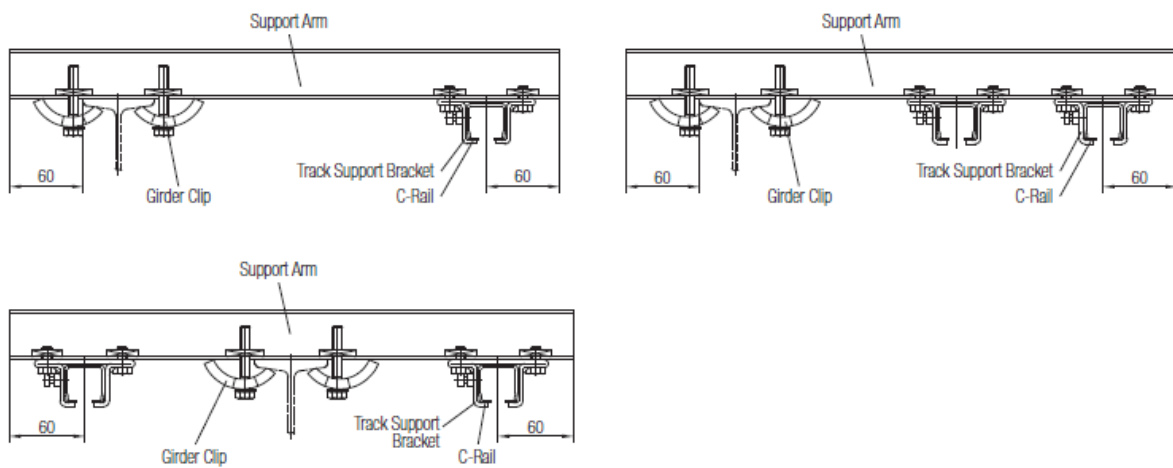

Girder Clips, Twist-Secured, Clamping Thickness 6 - 25 mm



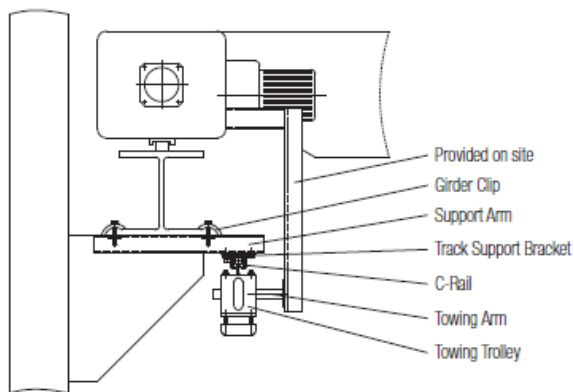
Order No.	Material	Weight [kg]
020181-08	galvanized steel	0.19

Clamping Thickness	s	6 - 25
Mounting Height	h	32 - 40

Application Examples for Support Arm and C-Rail Fastening with Support Arms – unpunched



Application Examples for Support Arm and C-Rail Fastening with Support Arms – punched



Application Example for Support Arm and C-Rail Fastening with Welded Brackets

