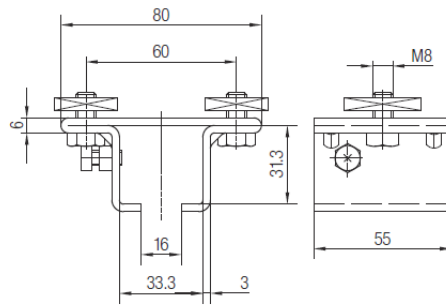
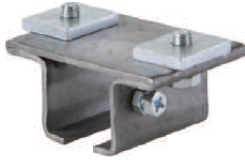

Track Support Bracket, One-Piece, with Square Nut for Attachment to Support Arms



Order No. 023226*

- Material: galvanized steel
- Perm. load: 160 kg
- Suitable for support arm type: 020185, 020186, 020275, 020276
- Weight: 0.32 kg

* Standard range