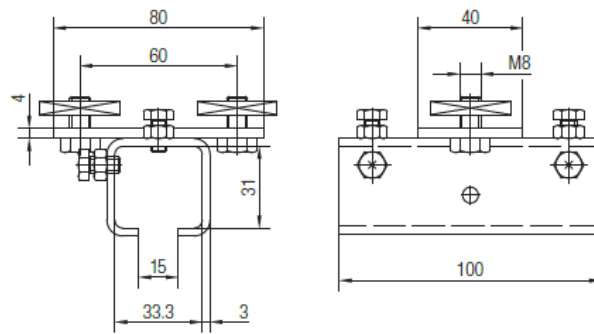
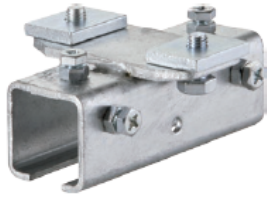


---

**Track Support Bracket and Coupler, One-Piece with Square Nut for Attachment to Support Arms**

---



**Order No. 023229**

- Material: galvanized steel
- Perm. load: 160 kg
- Suitable for support arm type: 020185, 020186, 020275, 020276
- Weight: 0.44 kg