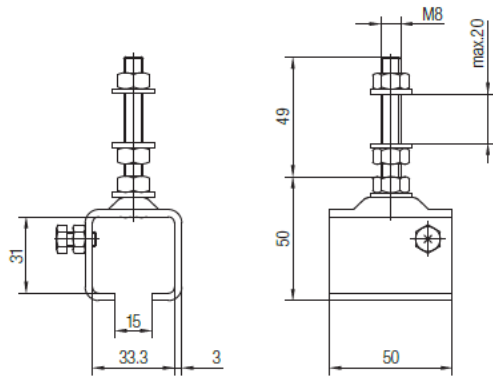

Track Support Bracket for Attachment to the Existing Steel Structure



- Order No. 023231**
- Material: galvanized steel
 - Perm. load: 63 kg
 - Weight: 0.20 kg