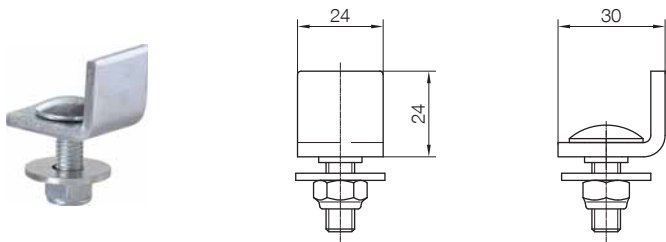


# C-Rails and Accessories Program 0230

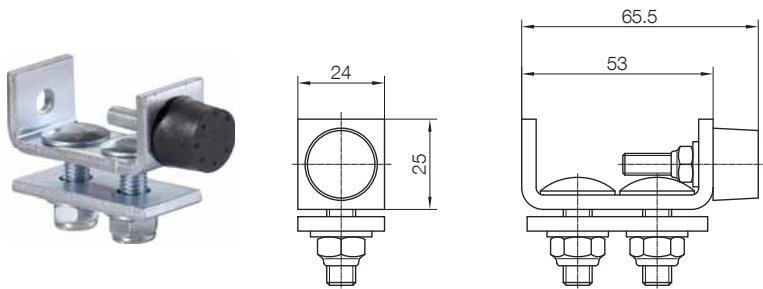
## End Stop 30x24



### Catalog-No. 023215

- Material: galvanized steel
- Weight: 0.060kg

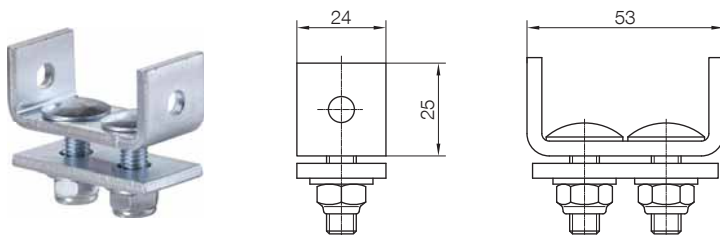
## End Stop with Rubber Buffer



### Catalog-No. 023218

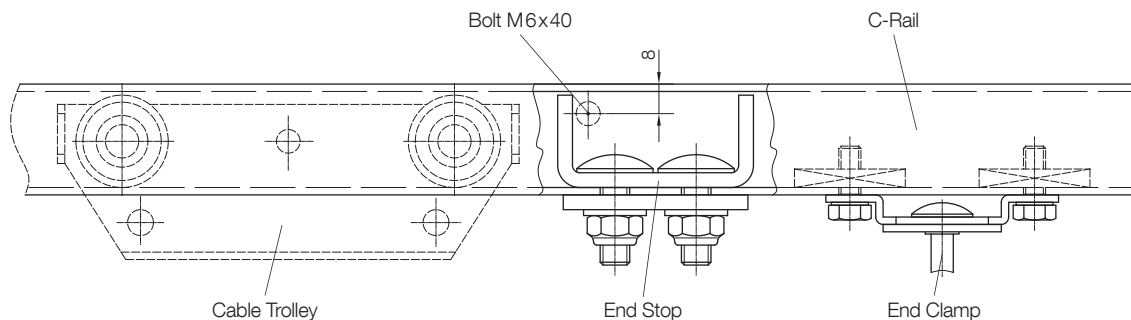
- Material: galvanized steel, rubber buffer
- Weight: 0.150kg

## End Stop without Rubber Buffer



Catalog-No.	Material	Weight [kg]
023219	galvanized steel	0.130
023419	stainless steel V4A	0.130

## Application Example for End Stop Assembly



### Notes

The end stop is fixed in the C-rail between the end clamp and the cable trolley. This helps to prevent cable trolleys running into the end clamp.

For control supply systems with manually driven ideal control trolleys an end stop mounted at the end of the C-rail prevents the ideal control trolley from travelling out of the rail.