

## Cutting, stripping and crimping tool STRIPAX PLUS 2.5

**Weidmüller Interface GmbH & Co. KG**  
Klingenbergstraße 16  
D-32758 Detmold  
Germany  
Fon: +49 5231 1429-0  
Fax: +49 5231 14292083  
www.weidmueller.com



### Cutting, stripping and crimping tools for connected wire-end ferrules strips

- Cutting
- Stripping
- Crimping
- Automatic feeding of wire end ferrules
- Ratchet guarantees precise crimping
- Release option in the event of incorrect operation
- Efficient: only one tool needed for cable work, and thus significant time saved

### General ordering data

Type	STRIPAX PLUS 2.5
Order No.	<a href="#">9020000000</a>
Version	Cutting, stripping and crimping tool, Crimping tool for wire-end ferrules, 0.5mm <sup>2</sup> , 2.5mm <sup>2</sup> , Trapezoidal crimp
GTIN (EAN)	4008190067267
Qty.	1 pc(s).

**Cutting, stripping and crimping tool  
STRIPAX PLUS 2.5**

**Weidmüller Interface GmbH & Co. KG**  
 Klingenbergstraße 16  
 D-32758 Detmold  
 Germany  
 Fon: +49 5231 1429-0  
 Fax: +49 5231 14292083  
 www.weidmueller.com

**Technical data**
**Dimensions and weights**

Width	210 mm	Width (inches)	8.268 inch
Weight	260 g	Net weight	250.91 g

**Technical data**

Version	Mechanical, without interchangeable inserts
---------	---

**Description of contact**

Type of contact	Strips of linked wire-end ferrules	Crimping range, min.	0.5 mm <sup>2</sup>
Crimping range, max.	2.5 mm <sup>2</sup>		

**tool data crimping**

Crimping profile 1, min.	0.5 mm <sup>2</sup>	Crimping type/profile	Trapezoidal crimp
Wire end ferrules cross-section, min.	0.5 mm <sup>2</sup>	Crimping profile 1, max.	0.75 mm <sup>2</sup>
Wire end ferrules cross-section, max.	2.5 mm <sup>2</sup>	Crimping profile 2, min.	1 mm <sup>2</sup>
Crimping profile 2, max.	1.5 mm <sup>2</sup>	Crimping profile 3, min.	2.5 mm <sup>2</sup>

**Classifications**

ETIM 3.0	EC000005	ETIM 4.0	EC000005
ETIM 5.0	EC000005	ETIM 6.0	EC002109
UNSPSC	31-16-31-02	eClass 5.1	27-40-02-01
eClass 6.2	21-04-38-11	eClass 7.1	27-40-02-01
eClass 8.1	27-40-02-01	eClass 9.0	21-04-38-11
eClass 9.1	21-04-37-06		

**Product information**

Descriptive text ordering data	Additional accessories can be found in chapter J
Descriptive text technical data	Only strip-type products from Weidmüller may be processed. The use of wire-end ferrules on reels may lead to destruction.

**Approvals**

Approvals



ROHS	Conform
------	---------

**Downloads**

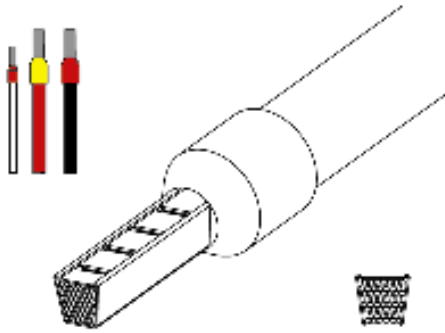
Brochure/Catalogue	<a href="#">CAT 6 TOOLS 15/16 EN</a>
Engineering Data	<a href="#">WSCAD</a>

**Cutting, stripping and crimping tool  
STRIPAX PLUS 2.5**

**Weidmüller Interface GmbH & Co. KG**  
Klingenbergstraße 16  
D-32758 Detmold  
Germany  
Fon: +49 5231 1429-0  
Fax: +49 5231 14292083  
www.weidmueller.com

**Drawings**

**Example of use**



**Example of use**



**Example of use**

